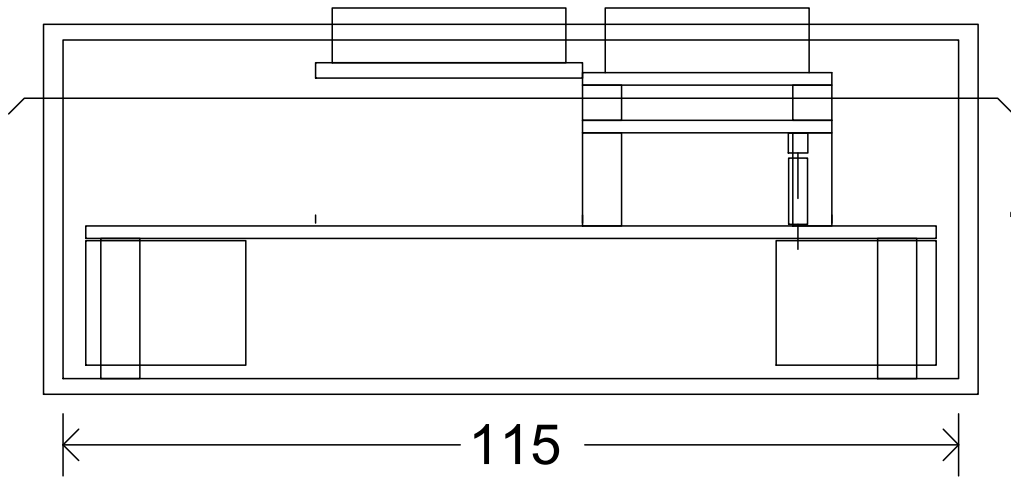
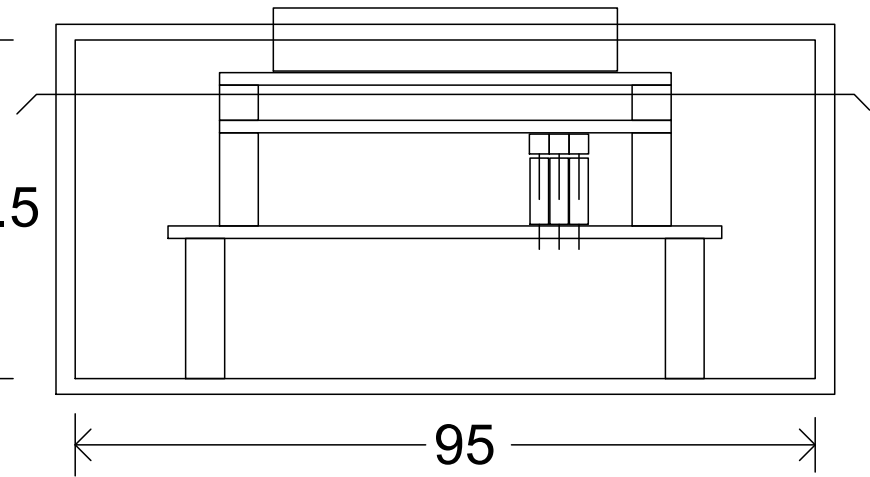


Temp Display Position Display

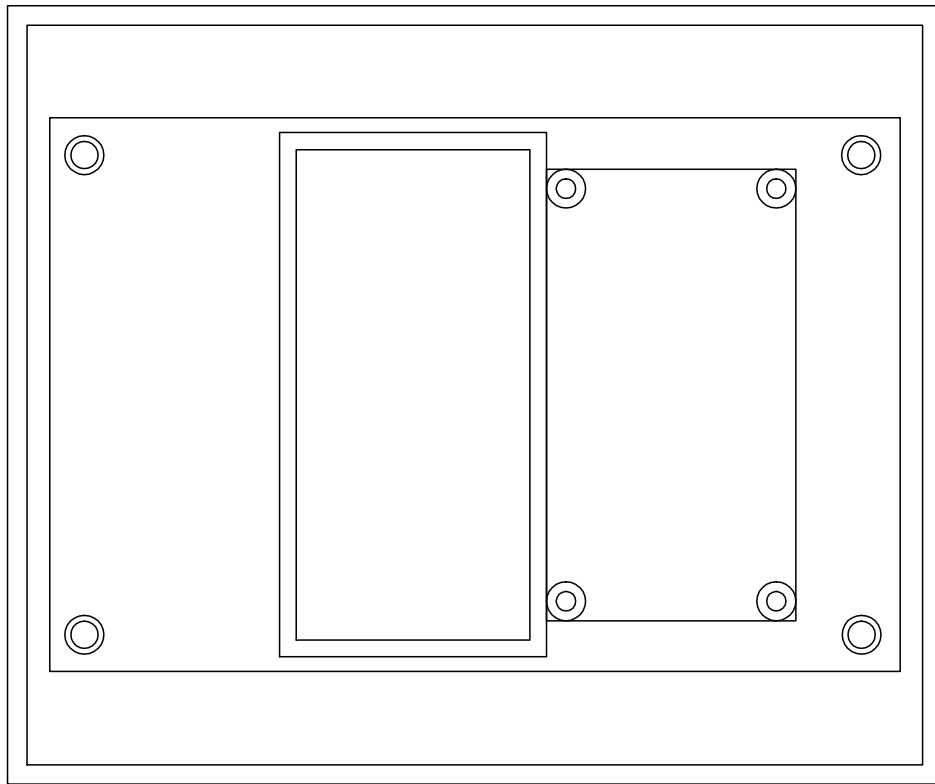
LH22Y Box from Maplin



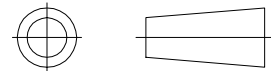
43.5



95



Box Size 115 x 95 x 43.5
PCB Size 109.2 x 71.1 x 1.6
Tallest component 16mm



DSC Project MK II
Box Mechanical Drawing
and Dimensions