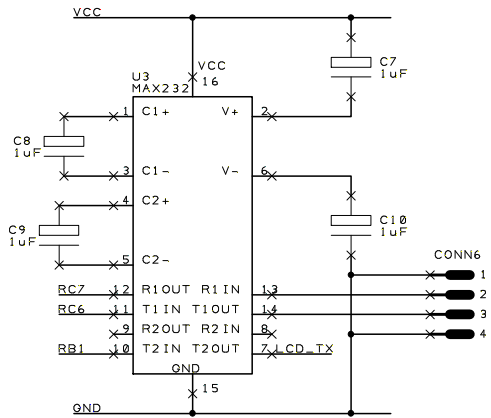
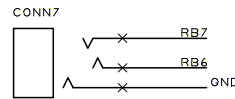
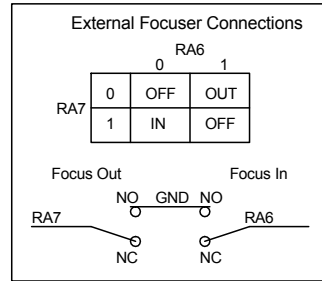


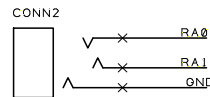
RS232 Interface



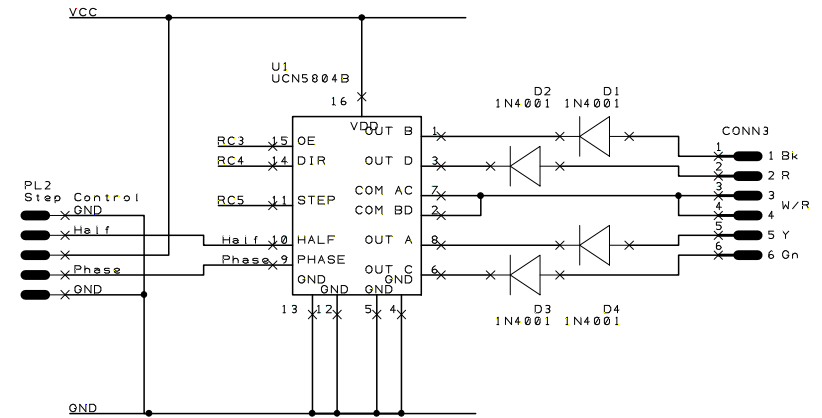
Hand Control



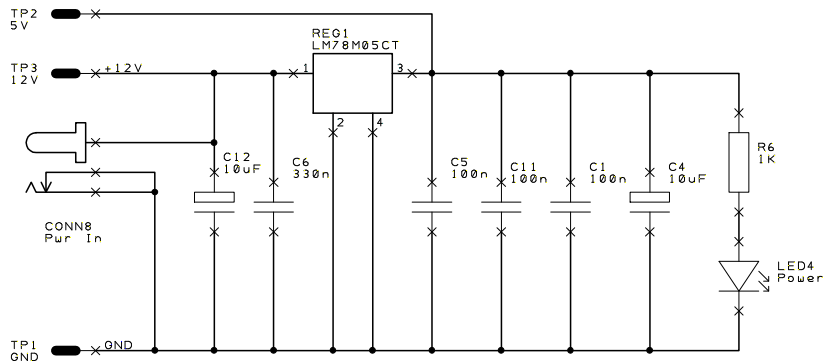
Focuser Feedback



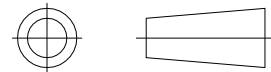
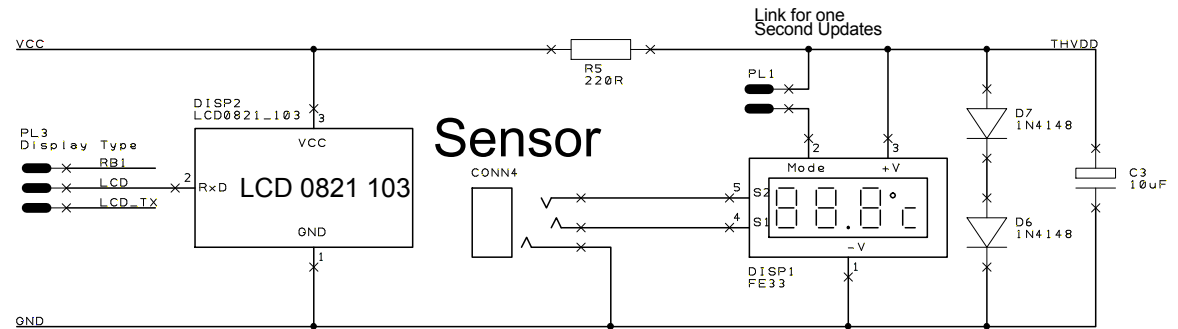
Focuser Interface



PSU



Temperature Display



DSC Project MK II
RS232, Focuser, PSU
And Temperature Display